



interKing

GRP Speaker



Index



1. Application.....	1
2. Product	
2.1 Industrial	
(1)Standard SpeakerTW830.....	3
(2)Self-amplified SpeakerTW83A / TW83A-A.....	5
(3)Intelligent Siren SounderTW83D / TW83D-A.....	7
(4)Siren SounderTW83R / TW83R-A.....	9
(5)High-voltage SpeakerTW83T.....	11
2.2 Explosion-proof —GRP Speaker	
(1)Standard SpeakerTW810.....	13
(2)Self-amplified SpeakerTW81A / TW81A-A.....	15
(3)Intelligent Siren SounderTW81D / TW81D-A.....	17
(4)Siren SounderTW81R / TW81R-A.....	19
(5)High-voltage SpeakerTW81T.....	21
3. Products List.....	23

Application

Eies Emergency Integrated Communication System

Supply : Solar Power, Wind Power, Electricity



Power Supply

Transmission : Server, Tablet, Smartphone



Data Transmission



Tsunami Warning



Public Emergency Broadcast



Vehicle Dispatch Broadcast



Station Broadcast



Factory Broadcast



Dam Release Notification



Oil Platform Broadcast



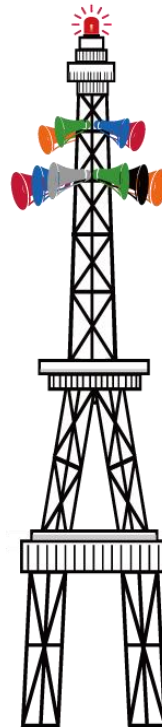
Application

Application



Feature of EICS

-  Emergency Response
-  Disaster Prevention
-  Data Reporting
-  Malfunction Detection
-  Equipment Drawing in Factory
-  Best Instant Safety Net



Industrial Standard Speaker

MODEL TW830

Characteristics



TW830

- GRP speaker, impact-resistant, corrosion-resistant, IP66 rated
- Stainless steel mounting bracket and anti-loose cover screws
- Applied in Paging Intercom System
- Built-in driver: 16Ω, 30W
- Cable entry – 1/2" NPT x 2

1

2

3

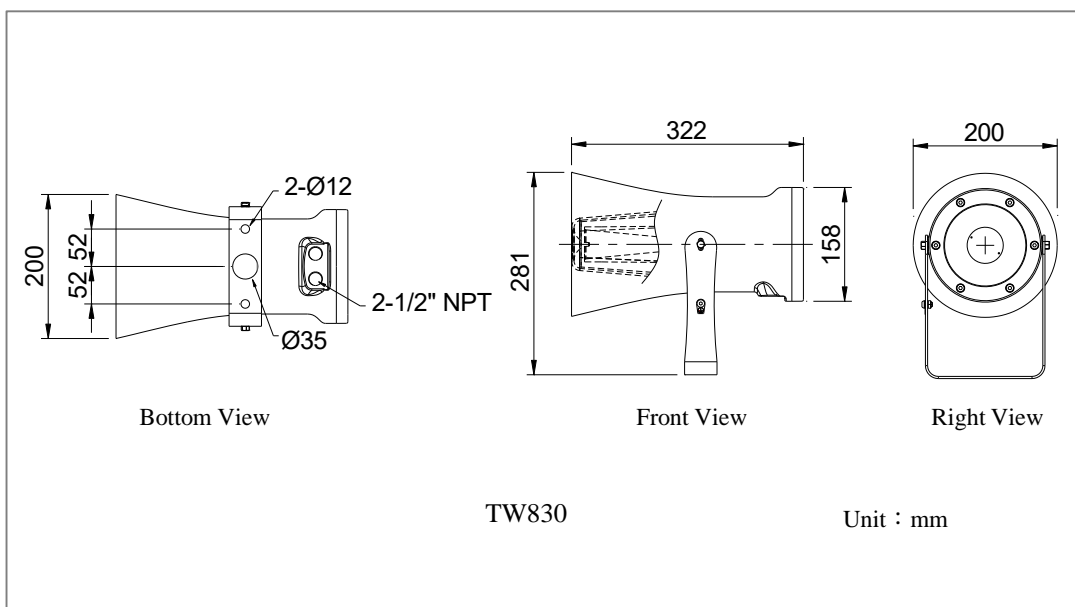
TW830
Industrial Standard Speaker

MODEL

TW830

Specifications

Model		TW830
Impedance	16Ω	
SPL	108 dB	
Appearance & Materials	Enclosure	Glass Reinforced Plastic (GRP)
	Bracket	Stainless Steel
	Screws	Stainless Steel, Anti-loose Design for Cover
Environment	IP Degree	IP66
	Ambient Temperature	-20°C ~ +60°C
Packing	Dimensions	240(L) x 245(W) x 405(H) mm
	Weight	4.8 Kg



Industrial
Self-amplified Speaker

MODEL

TW83A · TW83A-A

Characteristics



TW83A / TW83A-A

- GRP speaker, impact-resistant, corrosion-resistant, IP66 rated
- Stainless steel mounting bracket and anti-loose cover screws
- Applied in Paging Intercom System
- Built-in power amplifier: 15W
- Cable entry : 1/2" NPT x 2

1

2

3

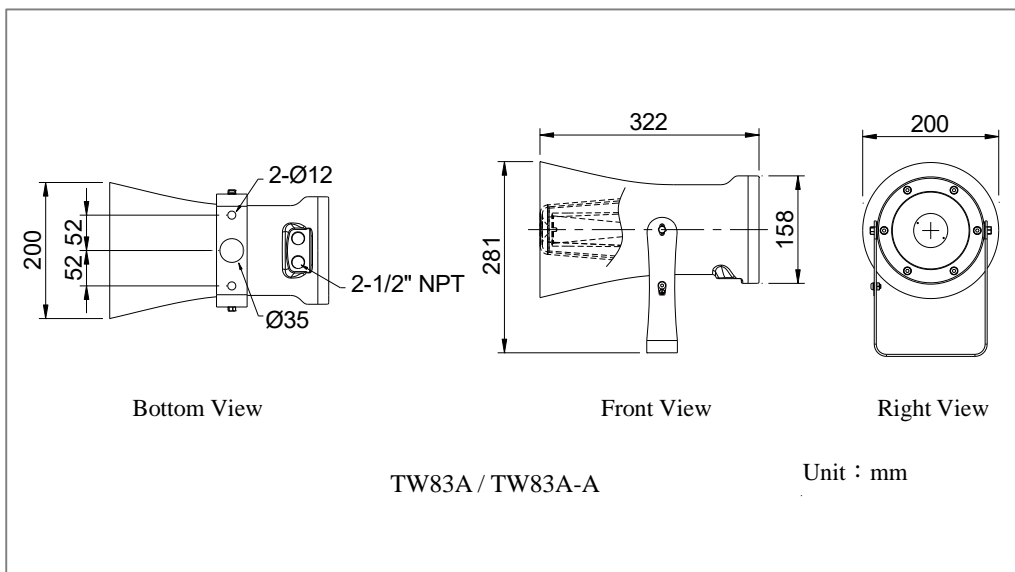
TW83A · TW83A-A
Industrial Self-amplified Speaker

MODEL

TW83A · TW83A-A

Specifications

Model	TW83A	TW83A-A	
Power Requirements	Voltage	24 Vdc	110~220 Vac
	Rating	Zero signal: 1.44W Max signal: 15W	110V Zero signal: 6VA/3W Max signal: 35VA/19W 220V Zero signal: 11VA/3.5W Max signal: 40VA/20W
Speaker Amplifier	Output	BTL Class AB, 15W/16Ω	
	Frequency	250 ~ 10,000 Hz, +/-1.5dB reference to 1K Hz	
	Distortion	1.0% Max. THD @ 1,000 Hz 9W	
	Input Impedance	50,000Ω, nominal	
	Output Impedance	16Ω	
	Paging Input	33Ω load	
SPL	108 dB		
Appearance & Materials	Enclosure	Glass Reinforced Plastic (GRP)	
	Bracket	Stainless Steel	
	Screws	Stainless Steel, Anti-loose Design for Cover	
Environment	IP Degree	IP66	
	Ambient Temperature	-20°C ~+60°C	
Packing	Dimensions	240(L) x 245(W) x 405(H) mm	
	Weight	4.5Kg	4.7Kg



TW83A · TW83A-A
 Industrial Self-amplified Speaker

Industrial
Intelligent Siren Sounder

MODEL

TW83D · TW83D-A

Characteristics



TW83D / TW83D-A

- GRP speaker, impact-resistant, corrosion-resistant, IP66 rated
- Stainless steel mounting bracket and anti-loose cover screws
- Built-in power amplifier: 15W
- With self-powered, voice recording and digital monitoring function
- Voice burning via computer to edit alarm contents
- Voice playing by activating alarm via power or dry contact
- Digital addressable design for remote alarm activation and failure detection
- Cable entry : 1/2" NPT x 2

1

2

3

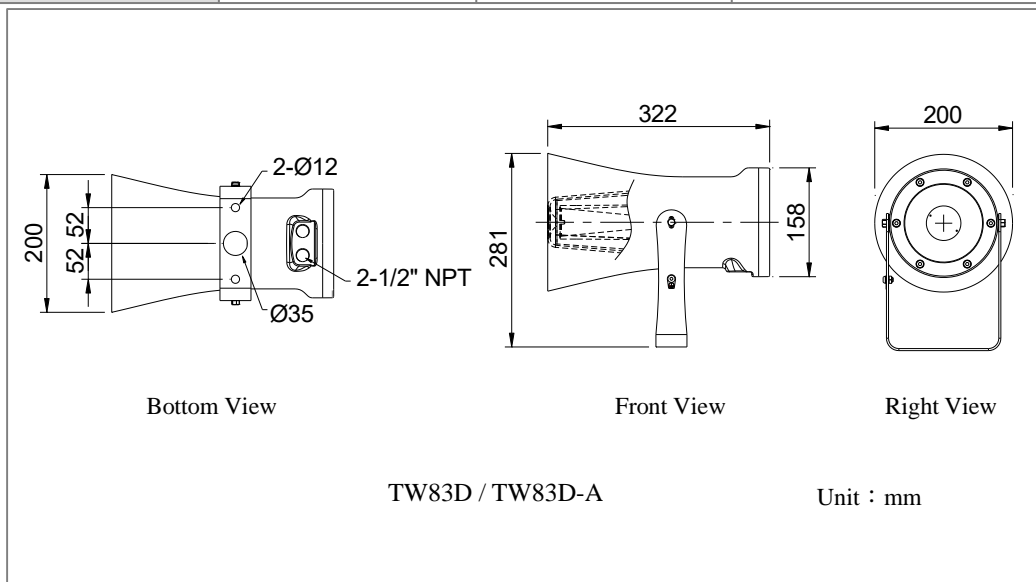
TW83D · TW83D-A
Industrial Intelligent Siren Sounder

MODEL

TW83D · TW83D-A

Specifications

Model	TW83D	TW83D-A	
Power Requirements	Voltage	24 Vdc	110~220 Vac
	Rating	Zero signal: 1.44W Max signal: 15W	110V Zero signal: 6VA/3W Max signal: 35VA/19W 220V Zero signal: 11VA/3.5W Max signal: 40VA/20W
Speaker Amplifier	Output	BTL Class AB, 15W/16Ω	
	Frequency	250 ~ 10,000 Hz, +/-1.5dB reference to 1K Hz	
	Distortion	1.0% Max. THD @ 1,000 Hz 9W	
	Input Impedance	50,000Ω, nominal	
	Output Impedance	16Ω	
	Audio Input	Audio Signal	
SPL	108 dB		
Appearance & Materials	Enclosure	Glass Reinforced Plastic (GRP)	
	Bracket	Stainless Steel	
	Screws	Stainless Steel, Anti-loose Design for Cover	
Environment	IP Degree	IP66	
	Ambient Temperature	-20°C ~ +60°C	
Packing	Dimensions	240(L) x 245(W) x 405(H) mm	
	Weight	5Kg	5.2Kg



Industrial
Siren Sounder

MODEL

TW83R · TW83R-A

Characteristics



TW83R / TW83R-A

- GRP speaker, impact-resistant, corrosion-resistant, IP66 rated
- Stainless steel mounting bracket and anti-loose cover screws
- Built-in power amplifier: 15W
- With self-powered and voice recording function
- Voice burning via computer to edit alarm contents
- Voice playing by activating alarm via power or dry contact
- Cable entry : 1/2" NPT x 2

1

2

3

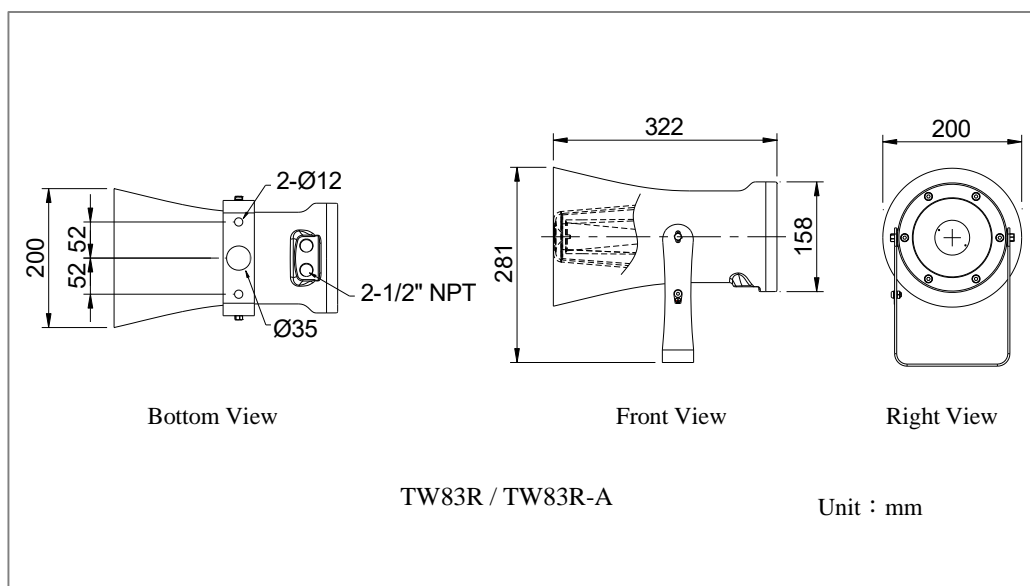
TW83R · TW83R-A
Industrial Siren Sounder

MODEL

TW83R · TW83R-A

Specifications

Model	TW83R	TW83R-A	
Power Requirements	Voltage	24 Vdc	110~220 Vac
	Rating	Zero signal: 1.44W Max signal: 15W	110V Zero signal: 6VA/3W Max signal: 35VA/19W 220V Zero signal: 11VA/3.5W Max signal: 40VA/20W
Speaker Amplifier	Output	BTL Class AB, 15W/16Ω	
	Frequency	250 ~ 10,000 Hz, +/-1.5dB reference to 1K Hz	
	Distortion	1.0% Max. THD @ 1,000 Hz 9W	
	Input Impedance	50,000Ω, nominal	
	Output Impedance	16Ω	
	Audio Input	Audio Signal	
SPL	108 dB		
Appearance & Materials	Enclosure	Glass Reinforced Plastic (GRP)	
	Bracket	Stainless Steel	
	Screws	Stainless Steel, Anti-loose Design for Cover	
Environment	IP Degree	IP66	
	Ambient Temperature	-20°C ~ +60°C	
Packing	Dimensions	240(L) x 245(W) x 405(H) mm	
	Weight	5 Kg	5.2 Kg



TW83R · TW83R-A
 Industrial Siren Sounder

MODEL TW83T

Industrial High-voltage Speaker

Characteristics



TW83T

- GRP speaker, impact-resistant, corrosion-resistant, IP66 rated
- Stainless steel mounting bracket and anti-loose cover screws
- Applied in Public Address System and Emergency Communications System
- Sound Pressure Level (L): 100 dB
- Voltage: 70/100 Vac
- Built-in power amplifier: 7.5 / 15W / 30W
- Cable entry : 1/2" NPT x 2

1

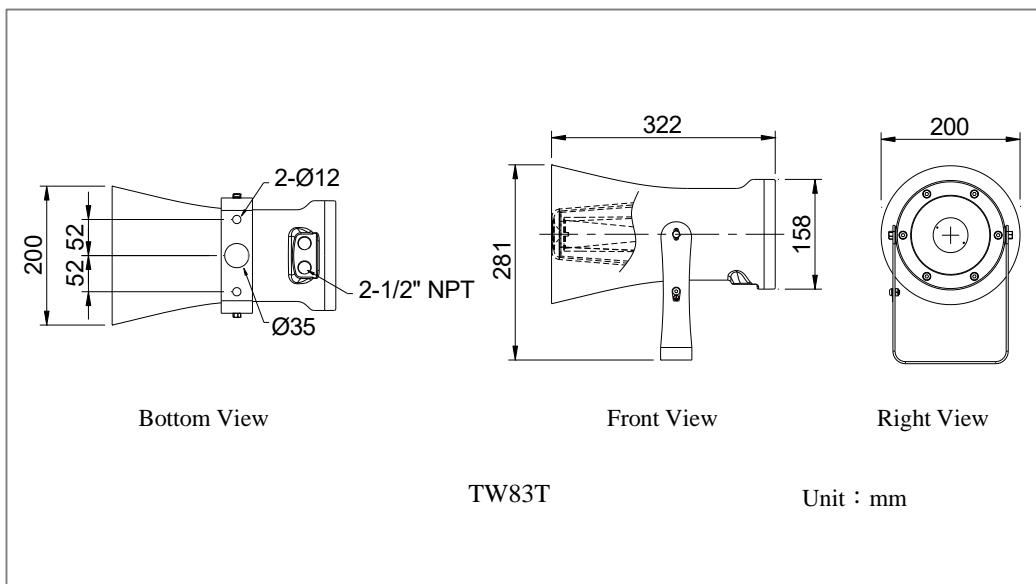
2

3

TW83T
Industrial High-voltage Speaker

MODEL TW83T

Model		TW83T
Power Requirements	Voltage	70/100 Vac
SPL	100 dB	
Appearance & Materials	Enclosure	Glass Reinforced Plastic (GRP)
	Bracket	Stainless Steel
	Screws	Stainless Steel, Anti-loose Design for Cover
Environment	IP Degree	IP66
	Ambient Temperature	-20°C~+60°C
Packing	Dimensions	240(L) x 245(W) x 405(H) mm
	Weight	5.4 Kg



TW83T
 Industrial High-voltage Speaker

GRP Speaker —
Explosion-proof Standard Speaker

MODEL TW810

Characteristics



TW810

- GRP speaker, impact-resistant, corrosion-resistant, IP66 rated
- Stainless steel mounting bracket and anti-loose cover screws
- Built-in driver: 16Ω , 30W
- Cable entry : 1/2" NPT x 2
- Applied in Paging Intercom System
- CNS Certification : Ex d IIB+H₂ T6 Gb / Ex tb IIIC T85°C Db
- CQST Certification : Ex db IIC T6 or T5 Gb , Ex tb IIIC T80°C Db
- IECEx / ATEX Certification : Ex db IIC T6 or T5 Gb , Ex tb IIIC T80°C Db

1

2

3

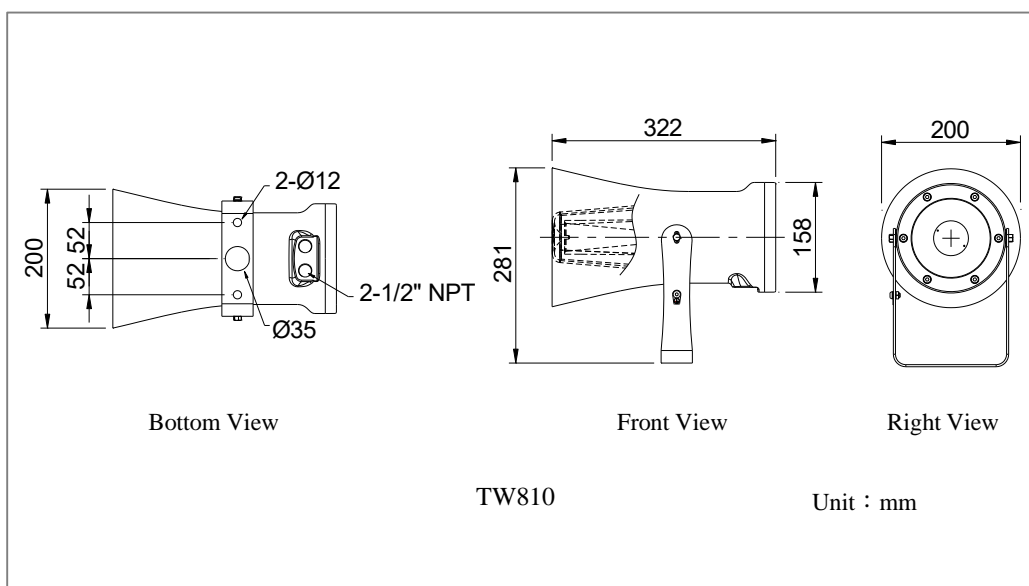
TW810
Explosion-proof Standard Speaker

MODEL

TW810

Specifications

Model		TW810
Input Impedance	16Ω	
SPL	108 dB	
Appearance & Materials	Enclosure	Glass Reinforced Plastic (GRP)
	Bracket	Stainless Steel
	Screws	Stainless Steel, Anti-loose Design for Cover
Environment	IP Degree	IP66
	Certification	CNS: Ex d IIB+H ₂ T6 Gb / Ex tb IIIC T85°C Db CQST: Ex db IIC T6 or T5 Gb · Ex tb IIIC T80°C Db IECEX / ATEX: Ex db IIC T6 or T5 Gb · Ex tb IIIC T80°C Db
	Ambient Temperature	-20°C ≤ Ta ≤ +50°C or -20°C ≤ Ta ≤ +60°C
Packing	Dimensions	240(L) x 245(W) x 405(H) mm
	Weight	4.8 Kg



TW810
 Explosion-proof Standard Speaker

GRP Speaker —
Explosion-proof
Self-amplified Speaker

MODEL

TW81A · TW81A-A

Characteristics



TW81A / TW81A-A

- GRP speaker, impact-resistant, corrosion-resistant, IP66 rated
- Stainless steel mounting bracket and anti-loose cover screws
- Applied in Paging Intercom System
- Built-in power amplifier: 15W
- Cable entry : 1/2" NPT x 2
- CNS Certification : Ex d IIB+H₂ T6 Gb / Ex tb IIIC T85°C Db
- CQST Certification : Ex db IIC T6 or T5 Gb , Ex tb IIIC T80°C Db
- IECEx / ATEX Certification : Ex db IIC T6 or T5 Gb , Ex tb IIIC T80°C Db

1

2

3

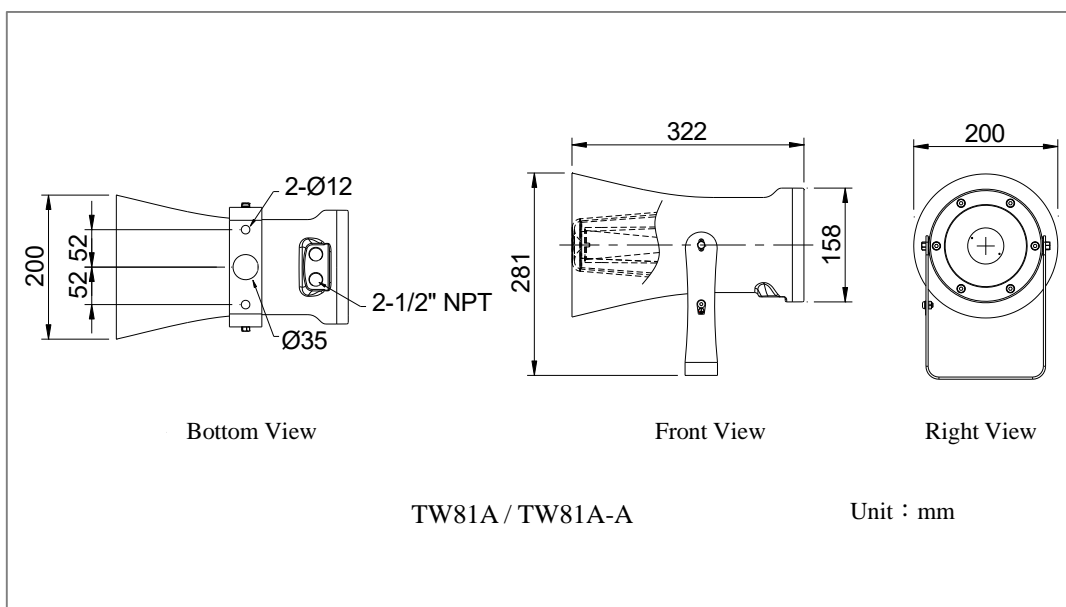
TW81A · TW81A-A
Explosion-proof Self-amplified Speaker

MODEL

TW81A · TW81A-A

Specifications

Model	TW81A	TW81A-A	
Power Requirements	Voltage	24 Vdc	110~220 Vac
	Rating	Zero signal: 1.44W Max signal: 15W	110V Zero signal: 6VA/3W Max signal: 35VA/19W 220V Zero signal: 11VA/3.5W Max signal: 40VA/20W
Speaker Amplifier	Output	BTL Class AB, 15W/16Ω	
	Frequency	250 ~ 10,000 Hz, +/-1.5dB reference to 1K Hz	
	Distortion	1.0% Max. THD @ 1,000 Hz 9W	
	Input Impedance	50,000Ω, nominal	
	Output Impedance	16Ω	
	Paging Input	33Ω load	
SPL	108 dB		
Appearance & Materials	Enclosure	Glass Reinforced Plastic (GRP)	
	Bracket	Stainless Steel	
	Screws	Stainless Steel, Anti-loose Design for Cover	
Environment	IP Degree	IP66	
	Certification	CNS: Ex d IIB+H ₂ T6 Gb / Ex tb IIIC T85°C Db CQST: Ex db IIC T6 or T5 Gb · Ex tb IIIC T80°C Db IECEX / ATEX: Ex db IIC T6 or T5 Gb · Ex tb IIIC T80°C Db	
	Ambient Temperature	-20°C ≤ Ta ≤ +50°C or -20°C ≤ Ta ≤ +60°C	
Packing	Dimensions	240(L) x 245(W) x 405(H) mm	
	Weight	5 Kg	5.2 Kg



GRP Speaker —
Explosion-proof
Intelligent Siren Sounder

MODEL

TW81D · TW81D-A

Characteristics



TW81D / TW81D-A

- GRP speaker, impact-resistant, corrosion-resistant, IP66 rated
- Stainless steel mounting bracket and anti-loose cover screws
- Built-in power amplifier: 15W
- With self-powered, voice recording and digital monitoring function
- Voice burning via computer to edit alarm contents
- Voice playing by activating alarm via power or dry contact
- Digital addressable design for remote alarm activation and failure detection
- Cable entry : 1/2" NPT x 2
- CNS Certification : Ex d IIB+H₂ T6 Gb / Ex tb IIIC T85°C Db
- CQST Certification : Ex db IIC T6 or T5 Gb , Ex tb IIIC T80°C Db
- IECEx / ATEX Certification : Ex db IIC T6 or T5 Gb , Ex tb IIIC T80°C Db

1

2

3

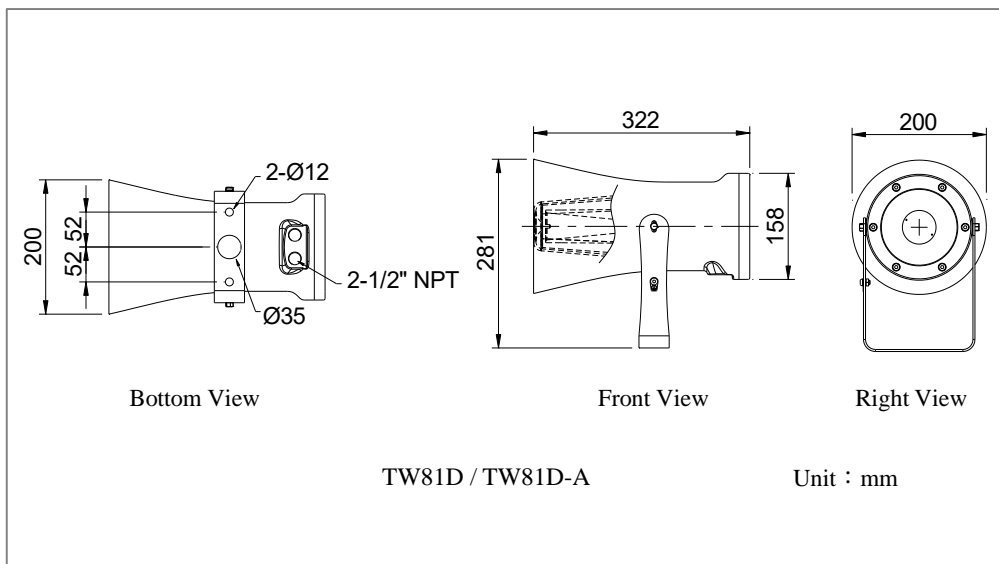
TW81D · TW81D-A
Explosion-proof Intelligent Siren Sounder

MODEL

TW81D · TW81D-A

Specifications

Model	TW81D	TW81D-A	
Power Requirements	Voltage	24 Vdc	110~220 Vac
	Rating	Zero signal: 1.44W Max signal: 15W	110V Zero signal: 6VA/3W Max signal: 35VA/19W 220V Zero signal: 11VA/3.5W Max signal: 40VA/20W
Speaker Amplifier	Output	BTL Class AB, 15W/16Ω	
	Frequency	250 ~ 10,000 Hz, +/-1.5dB reference to 1K Hz	
	Distortion	1.0% Max. THD @ 1,000 Hz 9W	
	Input Impedance	50,000Ω, nominal	
	Output Impedance	16Ω	
	Audio Input	Audio Signal	
SPL	108 dB		
Appearance & Materials	Enclosure	Glass Reinforced Plastic (GRP)	
	Bracket	Stainless Steel	
	Screws	Stainless Steel, Anti-loose Design for Cover	
Environment	IP Degree	IP66	
	Certification	CNS: Ex d IIB+H ₂ T6 Gb / Ex tb IIIC T85°C Db CQST: Ex db IIC T6 or T5 Gb , Ex tb IIIC T80°C Db IECEX / ATEX: Ex db IIC T6 or T5 Gb , Ex tb IIIC T80°C Db	
	Ambient Temperature	-20°C ≤ Ta ≤ +50°C or -20°C ≤ Ta ≤ +60°C	
Packing	Dimensions	240(L) x 245(W) x 405(H) mm	
	Weight	5 Kg	5.2 Kg



GRP Speaker —
Explosion-proof
Siren Sounder

MODEL

TW81R · TW81R-A

Characteristics



TW81R / TW81R-A

- GRP speaker, impact-resistant, corrosion-resistant, IP66 rated
- Stainless steel mounting bracket and anti-loose cover screws
- Built-in power amplifier: 15W
- With self-powered and voice recording function
- Voice burning via computer to edit alarm contents
- Voice playing by activating alarm via power or dry contact
- Cable entry : 1/2" NPT x 2
- CNS Certification : Ex d IIB+H₂ T6 Gb / Ex tb IIIC T85°C Db
- CQST Certification : Ex db IIC T6 or T5 Gb , Ex tb IIIC T80°C Db
- IECEx / ATEX Certification : Ex db IIC T6 or T5 Gb , Ex tb IIIC T80°C Db

1

2

3

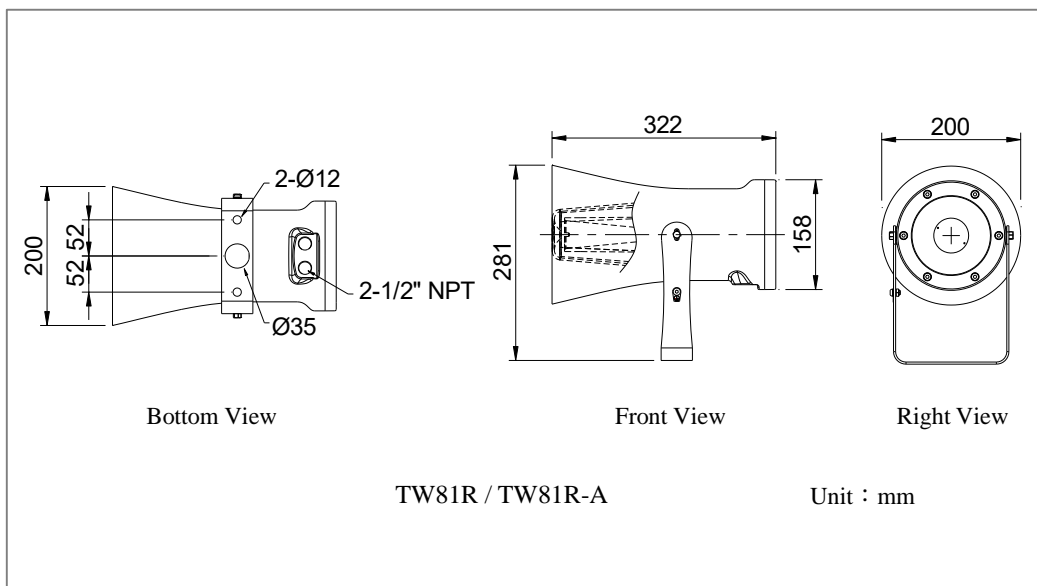
TW81R · TW81R-A
Explosion-proof Siren Sounder

MODEL

TW81R · TW81R-A

Specifications

Model	TW81R	TW81R-A	
Power Requirements	Voltage	24 Vdc	110~220 Vac
	Rating	Zero signal: 1.44W Max signal: 15W	110V Zero signal: 6VA/3W Max signal: 35VA/19W 220V Zero signal: 11VA/3.5W Max signal: 40VA/20W
Speaker Amplifier	Output	BTL Class AB, 15W/16Ω	
	Frequency	250 ~ 10,000 Hz, +/-1.5dB reference to 1K Hz	
	Distortion	1.0% Max. THD @ 1,000 Hz 9W	
	Input Impedance	50,000Ω, nominal	
	Output Impedance	16Ω	
	Audio Input	Audio Signal	
SPL	108 dB		
Appearance & Materials	Enclosure	Glass Reinforced Plastic (GRP)	
	Bracket	Stainless Steel	
	Screws	Stainless Steel, Anti-loose Design for Cover	
Environment	IP Degree	IP66	
	Certification	CNS: Ex d IIB+H ₂ T6 Gb / Ex tb IIIC T85°C Db CQST: Ex db IIC T6 or T5 Gb · Ex tb IIIC T80°C Db IECEX / ATEX: Ex db IIC T6 or T5 Gb · Ex tb IIIC T80°C Db	
	Ambient Temperature	-20°C ≤ Ta ≤ +50°C or -20°C ≤ Ta ≤ +60°C	
Packing	Dimensions	240(L) x 245(W) x 405(H) mm	
	Weight	5 Kg	5.2 Kg



TW81R · TW81R-A
 Explosion-proof Siren Sounder

GRP Speaker —
Explosion-proof High-voltage Speaker

MODEL
TW81T

Characteristics



TW81T

- GRP speaker, impact-resistant, corrosion-resistant, IP66 rated
- Stainless steel mounting bracket and anti-loose cover screws
- Sound Pressure Level (L): 100 dB
- Voltage: 70/100 Vac
- Built-in power amplifier: 7.5W / 15W / 30W
- Cable entry : 1/2" NPT x 2
- Applied in Public Address System and Emergency Communications System
- CNS Certification : Ex d IIB+H₂ T6 Gb / Ex tb IIIC T85°C Db
- CQST Certification : Ex db IIC T6 or T5 Gb , Ex tb IIIC T80°C Db
- IECEx / ATEX Certification : Ex db IIC T6 or T5 Gb , Ex tb IIIC T80°C Db
- CFS Approval No.:EP-A104005

1

2

3

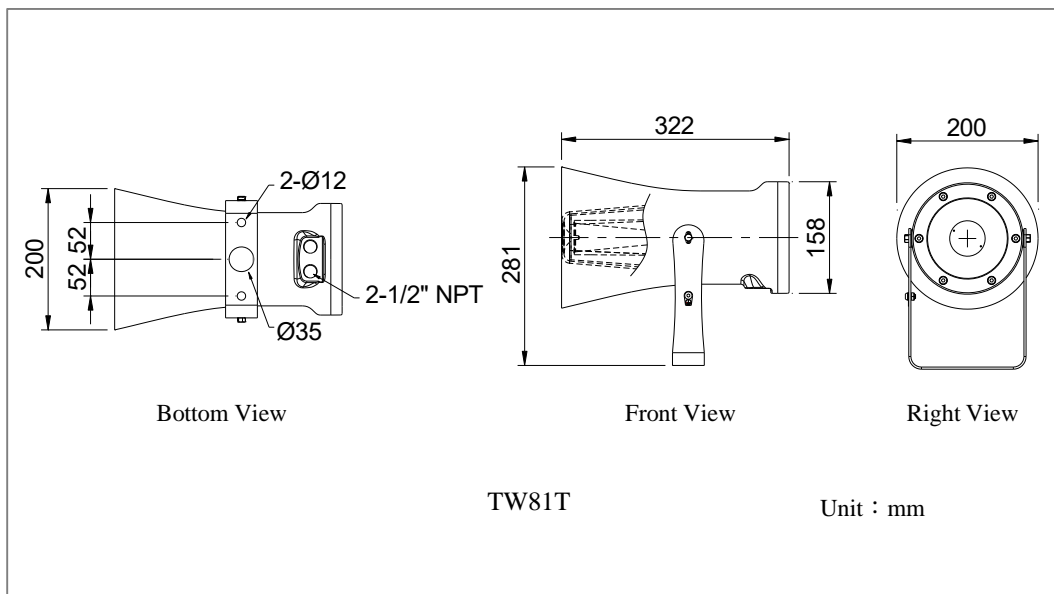
TW81T
Explosion-proof High-voltage Speaker

MODEL

TW81T

Specifications

Model		TW81T
Power Requirements	Voltage	70/100 Vac
SPL	100 dB	
Appearance & Materials	Enclosure	Glass Reinforced Plastic (GRP)
	Bracket	Stainless Steel
	Screws	Stainless Steel, Anti-loose Design for Cover
Environment	IP Degree	IP66
	Certification	CNS: Ex d IIB+H ₂ T6 Gb / Ex tb IIIC T85°C Db CQST: Ex db IIC T6 or T5 Gb , Ex tb IIIC T80°C Db IECEX / ATEX: Ex db IIC T6 or T5 Gb , Ex tb IIIC T80°C Db
	Ambient Temperature	-20°C ≤ Ta ≤ +50°C or -20°C ≤ Ta ≤ +60°C
Packing	Dimensions	240(L) x 245(W) x 405(H) mm
	Weight	5.4 Kg



Products List

Area	Model	Standard Speaker	Fire Alarm Speaker	Amplifying	Voice Recording	Digital Monitoring	Specification
Industrial	TW830	✓					16Ω
	TW83A			✓			DC 24V
	TW83A-A			✓			AC 110~220V
	TW83D			✓	✓	✓	DC 24V
	TW83D-A			✓	✓	✓	AC 110~220V
	TW83R			✓	✓		DC 24V
	TW83R-A			✓	✓		AC 110~220V
	TW83T		✓				AC 70/100V
Explosion-proof (Zone 1)	TW810	✓					16Ω
	TW81A			✓			DC 24V
	TW81A-A			✓	✓	✓	AC 110~220V
	TW81D			✓	✓	✓	DC 24V
	TW81D-A			✓			AC 110~220V
	TW81R			✓	✓		DC 24V
	TW81R-A			✓	✓		AC 110~220V
	TW81T		✓				AC 70/100V



®



mail

InterKing



INTERKING ENTERPRISES LTD.

Production base

No.50, Minquan St., Daliao Dist., Kaohsiung City 831115, Taiwan

TEL:+886-7-7337500

FAX:+886-7-7337506

E-mail: sales@interking.com.tw

Website : <http://www.interking.com.tw>

interKing and Interking logo are registered trademarks of Interking Enterprises Ltd.

All rights reserved.

Printed 1/2023 V1.1