



interKing

Analog Phone



INTERKING ENTERPRISES LTD.





INDEX



1. Product

- (1) Industrial Indoor Wall Mount Analog Phone : K3TG0-Z..... 1
- (2) Industrial Outdoor Wall Mount Analog Phone : K3T60..... 3
- (3) Industrial Outdoor Wall Mount Analog Phone : K3T40-Z..... 5
- (4) Explosion-proof Indoor Wall Mount Analog Phone : K2TG0-Z..... 7
- (5) Explosion-proof Outdoor Wall Mount Analog Phone : K2T40-Z..... 9
- (6) Explosion-proof Outdoor Wall Mount Analog Phone : K1T40.....11



K3TG0-Z

Industrial

Indoor Wall Mount Analog Phone



K3TG0-Z



K3TG0

Characteristics

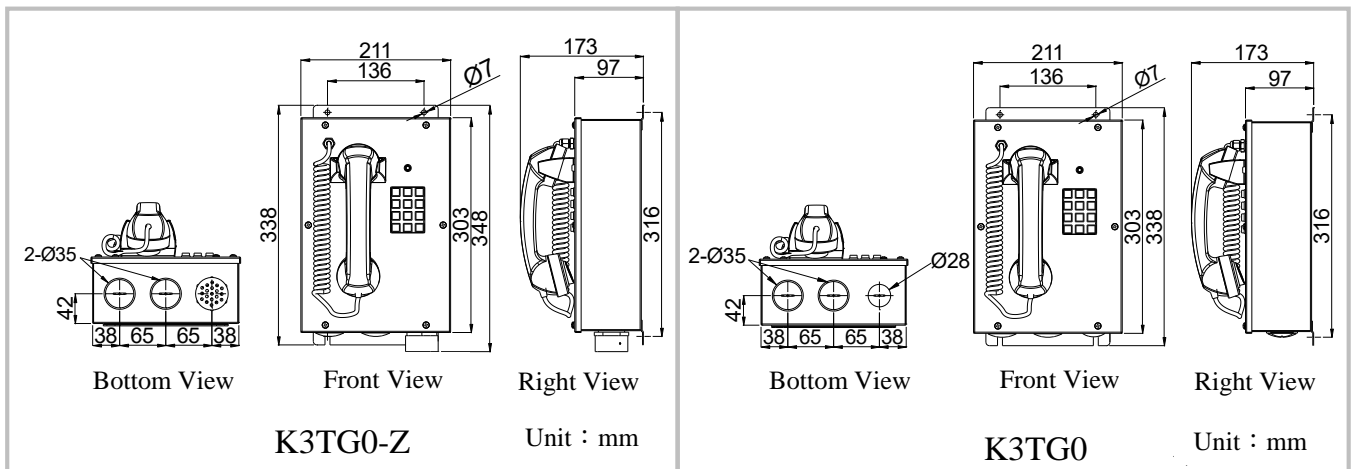
- 1.2mm galvanized steel enclosure, powder coated, corrosion-resistant, impact-resistant, IP54 rated
- Metal hook with magnetic reed switch
- Metal keypad (12-Key), corrosion-resistant
- Direct dialing and dual way intercommunication
- ABS handset, noise-cancelling, impact-resistant
- DTMF Analog Phone
- K3TG0-Z contains sounder
- K3TG0 does not contain sounder

Operation	Description
Off hook/On hook	The handset remains off hook for conversation, and on hook for ending a call.
Answer	Answer an incoming call after the phone is ringing.
Dial	Pick up the handset and dial the numbers.



Specifications

Model		K3TG0-Z	K3TG0
Power	Voltage	24~66 Vdc	
	Power Consumption	48 Vdc Zero signal: 5.76VA/5W ; Max. signal: 5.76VA/5W	
Standard Frequency	Low frequency group	697~941 Hz	
	High frequency group	1209~1477 Hz	
	Frequency deviation	No more than $\pm 1.5\%$	
	High and low level difference of composite signal	0~3 dB	
Communication transmission indicator	Output Impedance: 600 Ω (0 km): HF: -6 ± 2 dBm LF: -8 ± 2 dBm (5 km): HF: ≥ -21 dBm LF: ≥ -21 dBm		
Handset	Material	ABS	
	Microphone	noise-cancelling, dynamic	
	Receiver	high-efficiency, dynamic	
	Handset wire	4 conductors retractile, 5-foot extended, PVC	
Environment	IP Degree	IP54	
	Ambient temperature	$-20^{\circ}\text{C}\sim +50^{\circ}\text{C}$	
Packing	Dimensions	410L x 270W x 270H(mm)	
	Weight	7.8Kg	



K3T60

Industrial

Outdoor Wall Mount Analog Phone



K3T60

Characteristics

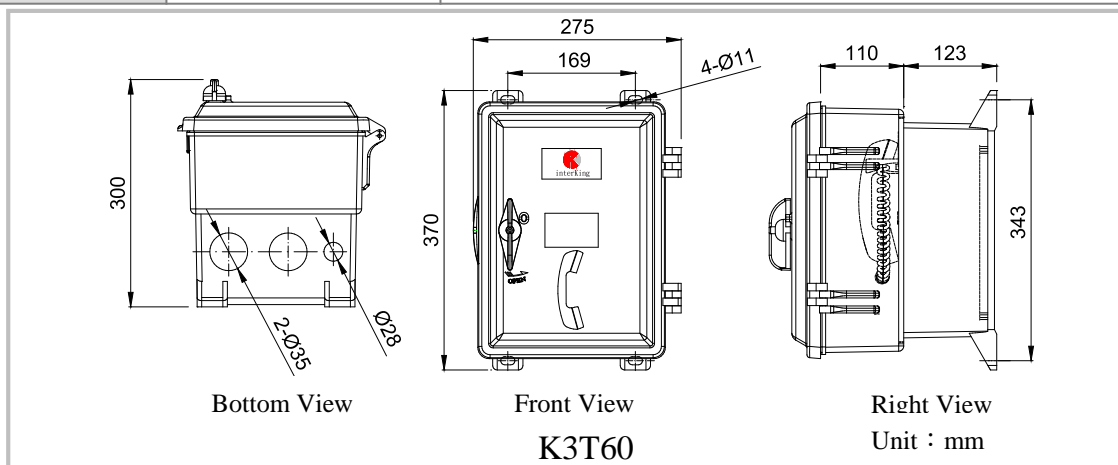
- ABS enclosure, corrosion-resistant, impact-resistant, IP66 rated
- Metal hook with magnetic reed switch
- Metal keypad (12-Key), corrosion-resistant
- Direct dialing and dual way intercommunication
- ABS handset, noise-cancelling, impact-resistant
- DTMF Analog Phone

Operation	Description
Off hook/On hook	The handset remains off hook for conversation, and on hook for ending a call.
Answer	Answer an incoming call after the phone is ringing.
Dial	Pick up the handset and dial the numbers.



Specifications

Model		K3T60
Power	Voltage	24~66 Vdc
	Power Consumption	48 Vdc Zero signal: 5.76VA/5W ; Max. signal: 5.76VA/5W
Standard Frequency	Low frequency group	697~941 Hz
	High frequency group	1209~1477 Hz
	Frequency deviation	No more than $\pm 1.5\%$
	High and low level difference of composite signal	0~3 dB
Communication transmission indicator	Output Impedance: 600 Ω (0 km): HF: -6 ± 2 dBm LF: -8 ± 2 dBm (5 km): HF: ≥ -21 dBm LF: ≥ -21 dBm	
Handset	Material	ABS
	Microphone	noise-cancelling, dynamic
	Receiver	high-efficiency, dynamic
	Handset wire	4 conductors retractile, 5-foot extended, PVC
Environment	IP Degree	IP66
	Ambient temperature	$-20^{\circ}\text{C} \sim +50^{\circ}\text{C}$
Packing	Dimensions	420L x 330W x 350H(mm)
	Weight	8.6Kg



K3T40-Z

Industrial

Outdoor Wall Mount Analog Phone



K3T40-Z



K3T40

Characteristics

- 1.2mm stainless steel enclosure, powder coated, corrosion-resistant, impact-resistant, IP66 rated
- Metal hook with magnetic reed switch
- Metal keypad (12-Key), corrosion-resistant
- Direct dialing and dual way intercommunication
- ABS handset, noise-cancelling, impact-resistant
- DTMF Analog Phone
- K3T40-Z contains sounder
- K3T40 does not contain sounder

Operation

Description

Off hook/On hook

The handset remains off hook for conversation, and on hook for ending a call.

Answer

Answer an incoming call after the phone is ringing.

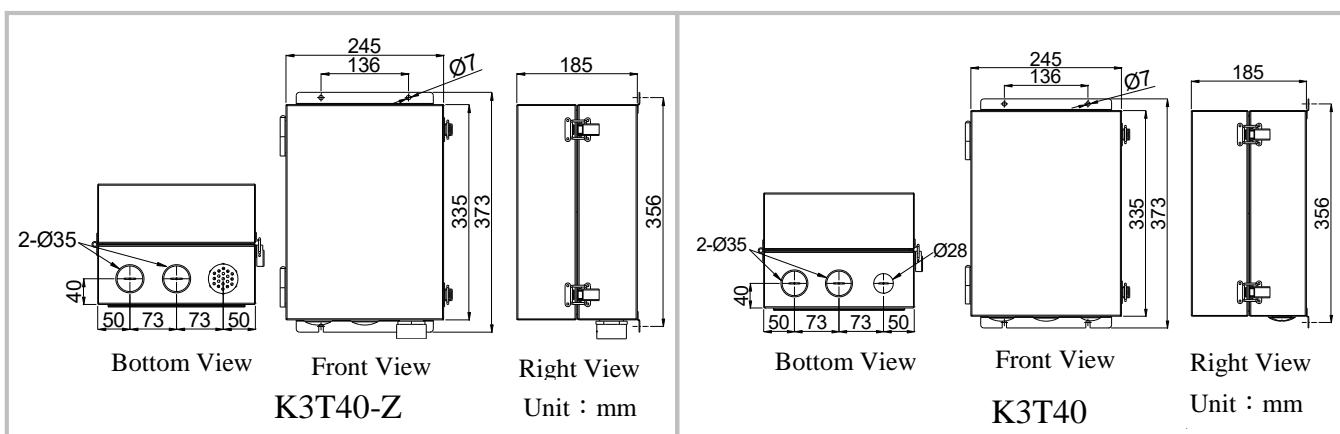
Dial

Pick up the handset and dial the numbers.



Specifications

Model		K3T40-Z	K3T40
Power	Voltage	24~66 Vdc	
	Power Consumption	48 Vdc Zero signal: 5.76VA/5W ; Max. signal: 5.76VA/5W	
Standard Frequency	Low frequency group	697~941 Hz	
	High frequency group	1209~1477 Hz	
	Frequency deviation	No more than $\pm 1.5\%$	
	High and low level difference of composite signal	0~3 dB	
Communication transmission indicator	Output Impedance: 600 Ω (0 km): HF: -6 ± 2 dBm LF: -8 ± 2 dBm (5 km): HF: ≥ -21 dBm LF: ≥ -21 dBm		
Handset	Material	ABS	
	Microphone	noise-cancelling, dynamic	
	Receiver	high-efficiency, dynamic	
	Handset wire	4 conductors retractile, 5-foot extended, PVC	
Environment	IP Degree	IP66	
	Ambient temperature	$-20^{\circ}\text{C} \sim +50^{\circ}\text{C}$	
Packing	Dimensions	410(L) x 270(W) x 270(H) mm	
	Weight	7.8 kg	7.5 kg



K2TG0-Z

Explosion-proof

Indoor Wall Mount Analog Phone



K2TG0-Z



K2TG0

Characteristics

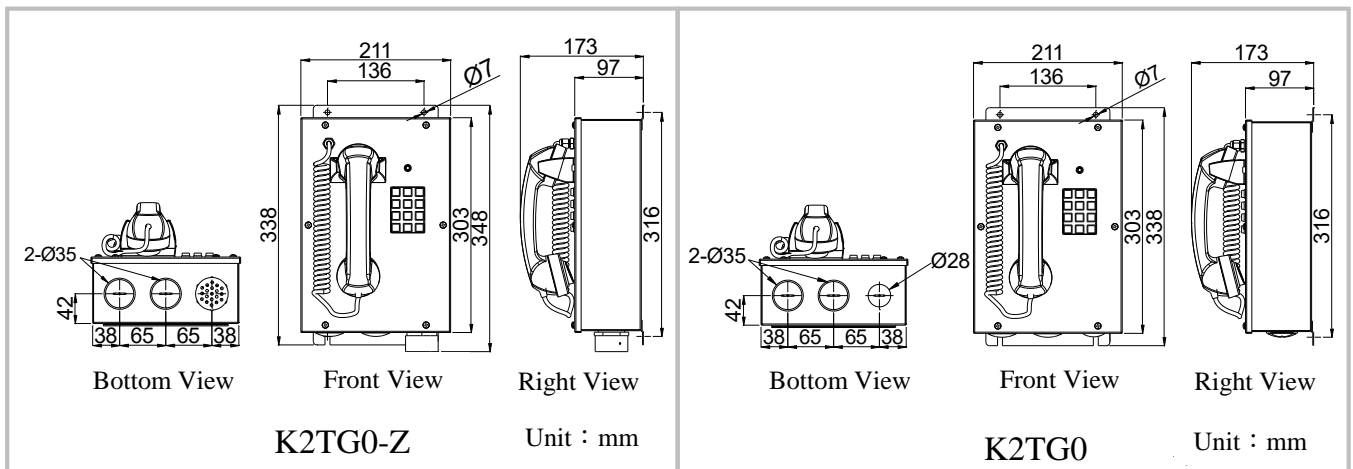
- 1.2mm galvanized steel enclosure, powder coated, corrosion-resistant, impact-resistant, IP54 rated
- Metal hook with magnetic reed switch
- Metal keypad (12-Key), corrosion-resistant
- Direct dialing and dual way intercommunication
- ABS handset, noise-cancelling, impact-resistant
- CNS certified, Ex ec ic nC IIC T6 Gc / Ex tc IIIB T85°C Dc
- DTMF Analog Phone
- K2TG0-Z contains sounder
- K2TG0 does not contain sounder

Operation	Description
Off hook/On hook	The handset remains off hook for conversation, and on hook for ending a call.
Answer	Answer an incoming call after the phone is ringing.
Dial	Pick up the handset and dial the numbers.



Specifications

Model		K2TG0-Z	K2TG0
Power	Voltage	24~66 Vdc	
	Power Consumption	48 Vdc Zero signal: 5.76VA/5W ; Max. signal: 5.76VA/5W	
Standard Frequency	Low frequency group	697~941 Hz	
	High frequency group	1209~1477 Hz	
	Frequency deviation	No more than $\pm 1.5\%$	
	High and low level difference of composite signal	0~3 dB	
Communication transmission indicator	Output Impedance: 600 Ω (0 km): HF: $-6\pm 2\text{dBm}$ LF: $-8\pm 2\text{dBm}$ (5 km): HF: $\geq -21\text{dBm}$ LF: $\geq -21\text{dBm}$		
Handset	Material	ABS	
	Microphone	noise-cancelling, dynamic	
	Receiver	high-efficiency, dynamic	
	Handset wire	4 conductors retractile, 5-foot extended, PVC	
Environment	IP Degree	IP54	
	Certification	CNS: Ex ec ic nC IIC T6 Gc / Ex tc IIIB T85°C Dc	
	Ambient temperature	$-20^{\circ}\text{C} \sim +50^{\circ}\text{C}$	
Packing	Dimensions	410L x 270W x 270H(mm)	
	Weight	5.1 kg	4.9 kg



K2T40-Z

Explosion-proof

Outdoor Wall Mount Analog Phone



K2T40-Z



K2T40

Characteristics

- 1.2mm stainless steel enclosure, powder coated, corrosion-resistant, impact-resistant, IP66 rated
- Metal hook with magnetic reed switch
- Metal keypad (12-Key), corrosion-resistant
- Direct dialing and dual way intercommunication
- ABS handset, noise-cancelling, impact-resistant
- CNS certified, Ex ec ic nC IIC T6 Gc / Ex tc IIIB T85°C Dc
- DTMF Analog Phone
- K2T40-Z contains sounder
- K2T40 does not contain sounder

Operation

Description

Off hook/On hook

The handset remains off hook for conversation, and on hook for ending a call.

Answer

Answer an incoming call after the phone is ringing.

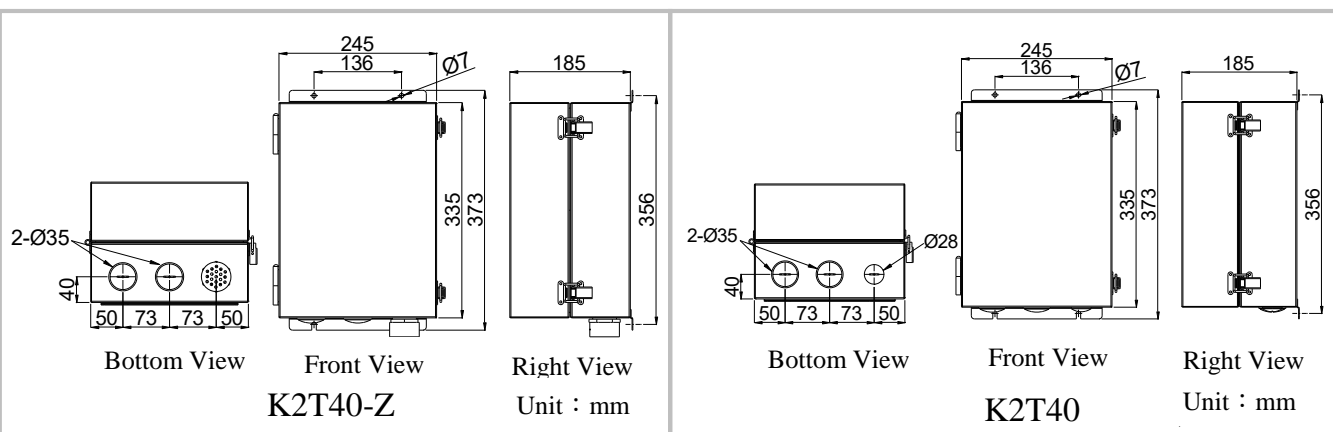
Dial

Pick up the handset and dial the numbers.



Specifications

	Model	K2T40-Z	K2T40
Power	Voltage	24~66 Vdc	
	Power Consumption	48 Vdc Zero signal: 5.76VA/5W ; Max. signal: 5.76VA/5W	
Standard Frequency	Low frequency group	697~941 Hz	
	High frequency group	1209~1477 Hz	
	Frequency deviation	No more than $\pm 1.5\%$	
	High and low level difference of composite signal	0~3 dB	
Communication transmission indicator	Output Impedance: 600 Ω (0 km): HF: -6 ± 2 dBm LF: -8 ± 2 dBm (5 km): HF: ≥ -21 dBm LF: ≥ -21 dBm		
Handset	Material	ABS	
	Microphone	noise-cancelling, dynamic	
	Receiver	high-efficiency, dynamic	
	Handset wire	4 conductors retractile, 5-foot extended, PVC	
Environment	IP Degree	IP66	
	Certification	CNS: Ex ec ic nC IIC T6 Gc / Ex tc IIIB T85°C Dc	
	Ambient temperature	$-20^{\circ}\text{C} \sim +50^{\circ}\text{C}$	
Packing	Dimensions	410(L) x 270(W) x 270(H) mm	
	Weight	7.8 kg	7.5 kg



K1T40

Explosion-proof

Outdoor Wall Mount Analog Phone



K1T40

Characteristics

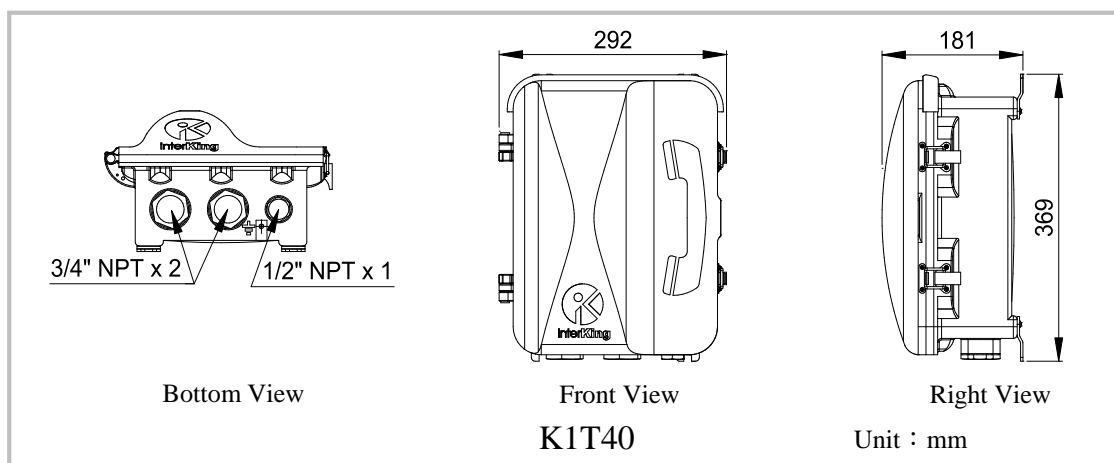
- Aluminum alloy enclosure, corrosion-resistant, impact-resistant, IP66 rated
- Metal hook with magnetic reed switch
- Metal keypad (12-Key), corrosion-resistant
- ABS handset , noise-cancelling, impact-resistant
- CNS certified, Ex db ib IIB+H₂ T6 Gb / Ex ib tb IIIC T80°C Db
- CQST certified, Ex db ib IIB+H₂ T6 Gb , Ex ib tb IIIC T80 °C Db
- IECEX / ATEX certified, Ex db ib IIB+H₂ T6 Gb , Ex ib tb IIIC T80 °C Db
- NCC ID number: CCAB22T10090T8
- DTMF Analog Phone

Operation	Description
Off hook/On hook	The handset remains off hook for conversation, and on hook for ending a call.
Answer	Answer an incoming call after the phone is ringing.
Dial	Pick up the handset and dial the numbers.



Specifications

Model		K1T40
Power	Voltage	24~66 Vdc
Standard Frequency	Low frequency group	697~941 Hz
	High frequency group	1209~1477 Hz
	Frequency deviation	No more than $\pm 1.5\%$
	High and low level difference of composite signal	0~3 dB
Communication transmission indicator	Output Impedance: 600 Ω (0 km): HF: $-6\pm 2\text{dBm}$ LF: $-8\pm 2\text{dBm}$ (5 km): HF: $\geq -21\text{dBm}$ LF: $\geq -21\text{dBm}$	
Handset	Material	ABS
	Microphone	noise-cancelling, dynamic
	Receiver	high-efficiency, dynamic
	Handset wire	4 conductors retractile, 5-foot extended, PVC
Environment	IP Degree	IP66
	Certification	CNS: Ex db ib IIB+H ₂ T6 Gb / Ex ib tb IIIC T80°C Db CQST: Ex db ib IIB+H ₂ T6 Gb / Ex ib tb IIIC T80°C Db IECEX / ATEX: Ex db ib IIB+H ₂ T6 Gb / Ex ib tb IIIC T80°C Db
	Ambient temperature	-20°C ~ +60°C
Packing	Dimensions	420L x 330W x 350H(mm)
	Weight	22.6 Kg





INTERKING ENTERPRISES LTD.

Production base

No.50, Minquan St., Daliao Dist., Kaohsiung City 831115, Taiwan

TEL:+886-7-7337500

FAX:+886-7-7337506

E-mail: sales@interking.com.tw

Website : <http://www.interking.com.tw>

interKing and Interking logo are registered trademarks of Interking Enterprises Ltd.

All rights reserved.

Printed 11/2022 V1.1